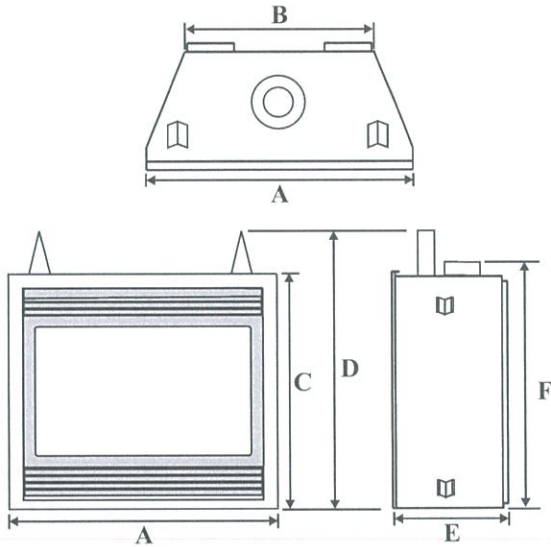
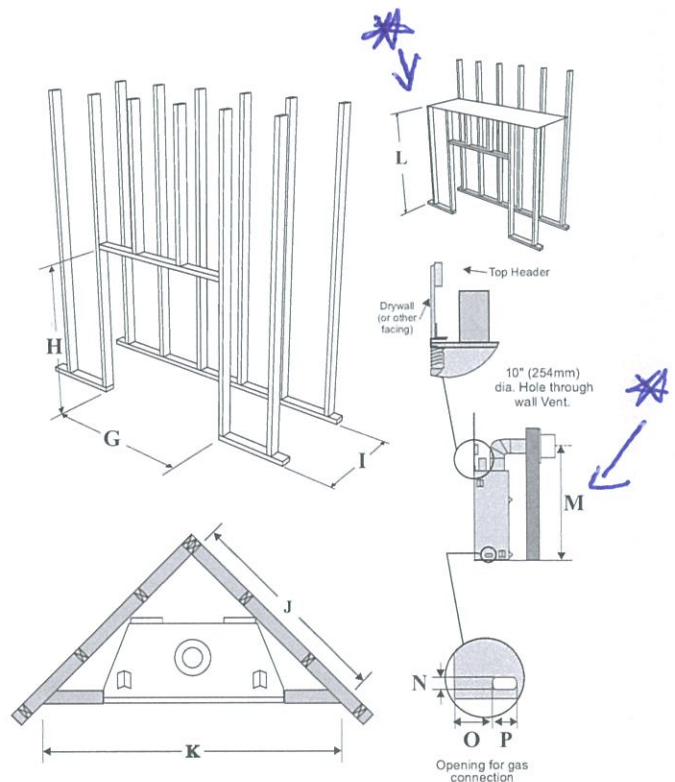


## PANORAMA P36



P36-5 System Data		
Model	P36-NG5	P36-LPG5
Fuel Type	Natural Gas	Propane
Gas Consumption	33mj	31mj
Manifold Pressure	1.0 kPa	2.7 kPa
Injector Size	#52	#37

Unit Dimensions	Description	P36-NG5
A	Front Face Width	36" (914mm)
B	Rear Firebox Width	33-1/4" (838mm)
C	Front Face Height	30-1/2" (775mm)
D	Height w/ Standoff	36" (914mm)
E	Unit Depth	12-3/4" (324mm)
F	Height to Vent	32-1/2" (826mm)
Framing Dimensions	Description	P36NG5
G	Framing Width*	36-1/4" (921mm)
H***	Framing Height* ***	36-1/4" (921mm)***
I	Framing Depth*	12-3/4" (324mm)
J	Corner Wall Length	42-7/16" (1078mm)
K	Corner Facing Wall Width	60" (1524mm)
L	Framed Chase Ceiling	46" (1168mm)
M	Vent Centerline Height	40-1/2" (1029mm)
N	Gas Connection Height	2" (51mm)
O	Gas Connection Inset	3-1/2" (89mm)
P	Gas Connection Width	4" (102mm)



\*\*\*Important: Framing height requires consideration of the hearth depth. Dimension H = H + the thickness of installed hearth.